

Part M

Access to and use of buildings (for England and Wales)

Internal doors - opening force

Approved Document

Interior Doors Design Considerations

3.7. If doors are required, the use of self-closing devices should be minimised (particularly in parts of building used by the general public) since they disadvantage many people who have limited upper body strength, are pushing prams or are carrying heavy objects.

Provisions

3.10. Internal doors will satisfy Requirement M1 or M2 if:

3.10a. **Current Approved Document Text** where needing to be opened manually, the opening force at the leading edge of the door does not exceed 20N

ODPM revised guidance to Approved Document M - May 2005 and British Standard 8300 incorporating Amd 15617 - June 2005

where needed to be open manually, the opening force at the leading edge of the door should not be more than 30N from 0° (the door in the closed position) to 30° open and not more than 22.5N from 30° to 60° of the opening cycle.

Where hinged or pivoted fire resisting doors need to be accessible by disabled people, the door closing device fitted should have 'controlled' action, conforming to the requirements of BS EN 1154: 1997, Annex 'A', be of a variable power type and conform to the recommendations above.

Annex 'A' to BS EN 1154 states that controlled door closing devices with a power size less than 3 are not considered suitable for use on fire / smoke door assemblies.

This means that, in general, only high efficiency door closers mounted on doors with a width greater than 900mm are likely to meet fire door requirements. Controlled door closing devices of a lower power size and with relatively low efficiency, with a lower power size and / or of a width less than 900mm may only be suitable for non-fire resisting doors.

Where the force required to open a fire resisting door on a circulation route exceeds the limits described above, an electrically powered hold open device, either stand-alone or integral in the body of the closer, which conforms to the requirements of BS EN 1155, should be installed.

The use of "swing free" controlled door closing devices should be limited to applications where doors are located for access to rooms or similar locations and not part of a circulation route.

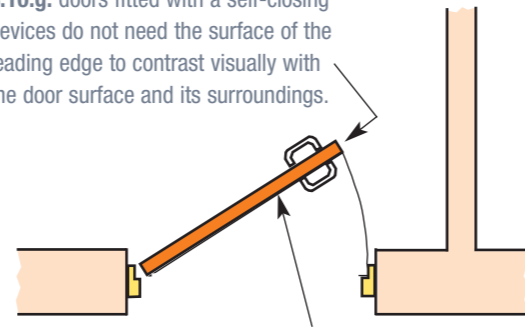
Guidance Notes M33 amd. April 2010

The use of "delayed action" controlled door closing devices should similarly be avoided in circulation areas.

For non-fire resisting doors which have a requirement to self close for reasons of privacy, acoustics or energy control, controlled door closing devices should be selected, fitted and adjusted so that the opening forces are well below the limits set out above, consistent with the doors function as intended. It is emphasised that, for non-fire doors, door closing devices of a power size less than 3 will normally be acceptable.

requirement

3.10.g. doors fitted with a self-closing devices do not need the surface of the leading edge to contrast visually with the door surface and its surroundings.



BS 8300: 2001 incorporating Amd 15617 issued June 2005

where measurements cannot be taken at the leading edge, they may be taken at a point on the face of the door up to 60mm from the leading edge, a position approximately in-line vertically with the spindle of a lever handle or centre line of a pull handle or push plate, in which case the opening force limits can be increased by approximately 2N.

Komfort's View

It is Komfort's view that all installations from June 2005 for new building works should meet the revised requirements of BS 8300 and the ODPM guidance of Part M of the Building Regulations.

Our door closers are suitable for the following applications;

code	description	classification	performance
534	Contract door closer	EN 2	non-fire
4140	TS71 Dorma closer	EN 3-4	fire
5143	Mirage universal closer	EN 3	fire
5144	Mirage adjustable closer	EN 2-5	non-fire / fire

for further details regarding door size and weight limitation contact your local Komfort sales office.

Part M

Access to and use of buildings (for England and Wales)

Approved Document 'B' and 'M' visibility glazing for doors

Guidance Notes M32 Published December 2006

Approved Document 'B' and 'M' visibility glazing for doors on escape routes sub-dividing corridors, or where any doors are hung to swing both ways and panels in doors across accessible corridors and passageways

